

**Sanitary Equipment & Systems**  
USDA, FDA & 3A Dairy Certified Equipment



**Bulk Bag Handling**

- Fork Loaded
- Hoist & Monorail
- Bulk Bag Fillers
- Manual Bag Dump



**Magnetic Separation**

- Tube Magnets
- Plate Magnets
- Grate in Housing
- Extreme Rare Earth
- Deep Reach



**Airlocks & Diverters**

- Sanitary
- Quick Clean
- Stainless Steel
- Conveying Diverters



**Flex Augers**

- Sanitary, Easy-To-Clean
- Portable and Stationary
- Horizontal



**Feeders**

- Loss-In-Weight
- Volumetric
- Weigh Belt
- Multiple Auger



**Vibratory Process Equipment**

- Bin Dischargers
- Vibratory Feeders
- Vibratory Conveyors
- Fluid Bed Processors



**Metal Detection**

- SS Construction / Washdown
- Tool-less Disassembly
- Variable Speed Belt
- Adjustable Belt Height
- Detects All Types of Metal



**Screening**

- Linear
- Circular
- De-Dusting
- Scalping
- Classification



**Slide Gates & Diverters**

- Stainless Steel
- Quick Clean
- Sanitary
- Manual & Automatic



**Pneumatic Conveying**

- Vacuum
- Pressure



**Dust Collection**

- Top Bag Removal
- Bottom Bag Removal
- High Vacuum
- Bin Vent

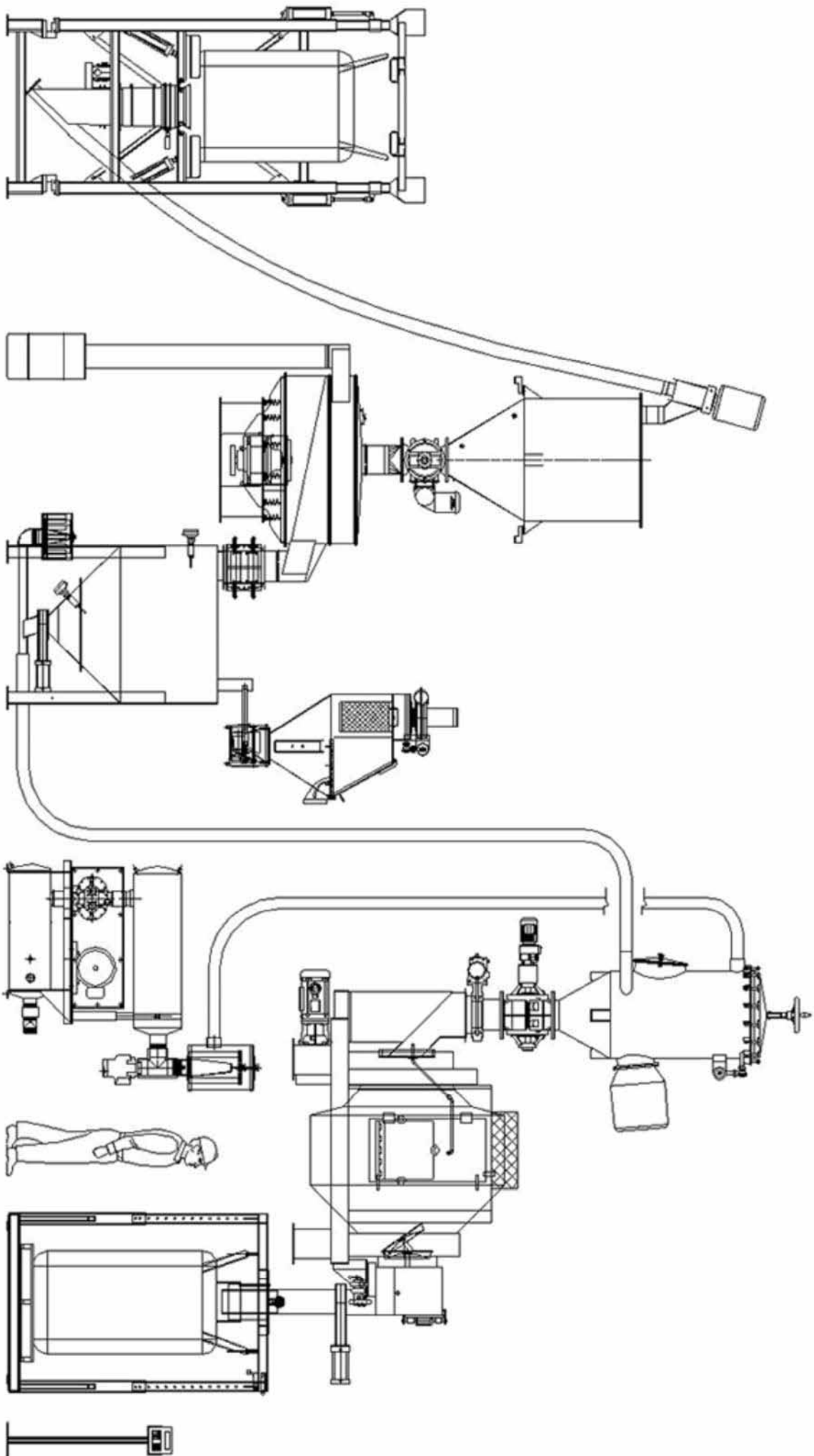


**Conveyors**

- Belt Conveyor
- Bucket Elevators
- Screw Conveyors



# DYNEQUIP ENGINEERED SYSTEMS



TITLE: CUSTOM ENGINEERED SYSTEM

CUSTOMER:

DATE

DRAWN BY

ENG APPR.

SCALE: 1:32

SHEET 1 OF 1

THE INFORMATION CONTAINED IN THIS DRAWING IS THE SOLE PROPERTY OF DYNEQUIP. ANY REPRODUCTION IN PART OR AS A WHOLE, WITHOUT THE WRITTEN PERMISSION OF DYNEQUIP, INC., IS PROHIBITED.

**Dynequip**

Material Handling Solutions

1983 SLDAN PLACE, ST. PAUL, MN 55117  
 PHONE: 651-776-1002 FAX: 651-776-1018

DWG. NO.

XXXXXX



Autodesk

AutoCAD

2010