

HEAVY INDUSTRY EQUIPMENT

BAG HANDLING

- Fork Lift Loaded
- Hoist & Monorail
- Bulk Bag Fillers
- Manual Bag Dump



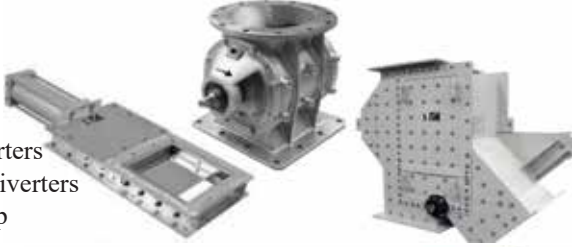
Magnetic Separation

- Plates, Tubes
- Pulleys
- Drums
- Electro Magnets
- Suspended Self Cleaning



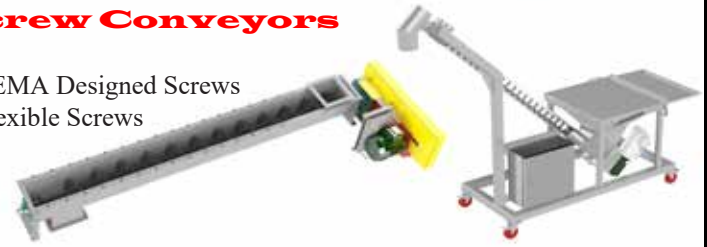
Valves

- Airlocks
- Slide Gates
- Gravity Diverters
- Conveying Diverters
- Double Dump



Screw Conveyors

- CEMA Designed Screws
- Flexible Screws



Feeders

- Loss-In-Weight
- Volumetric
- Weigh Belts
- Multiple Auger



Vibratory Process Equipment

- Bin Dischargers
- Vibratory Feeders
- Vibratory Conveyors
- Fluid Bed Processors
- Vibratory Screeners



Metal Detection

- All Solid State Integrated Circuits
- Designed for Outdoor Use
- Detects All Types of Metal
- No Balancing or Tuning Required
- No Periodic Maintenance Required



Screening

- Linear
- Circular
- De-Dusting
- Scalping
- Classification



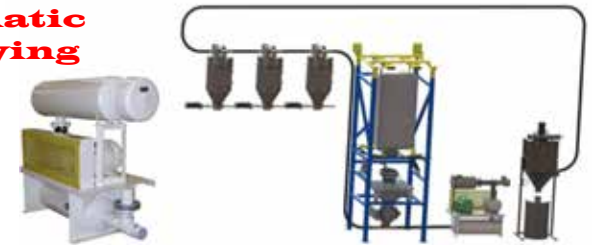
Load-Out Spout Solutions

- Integral Dust Collection
- Spout Positioners
- Open Loading
- Hatch Loading



Pneumatic Conveying

- Vacuum
- Pressure



Dust Collection

- Bottom Bag Removal
- Top Bag Removal
- High Vacuum
- Bin Vent

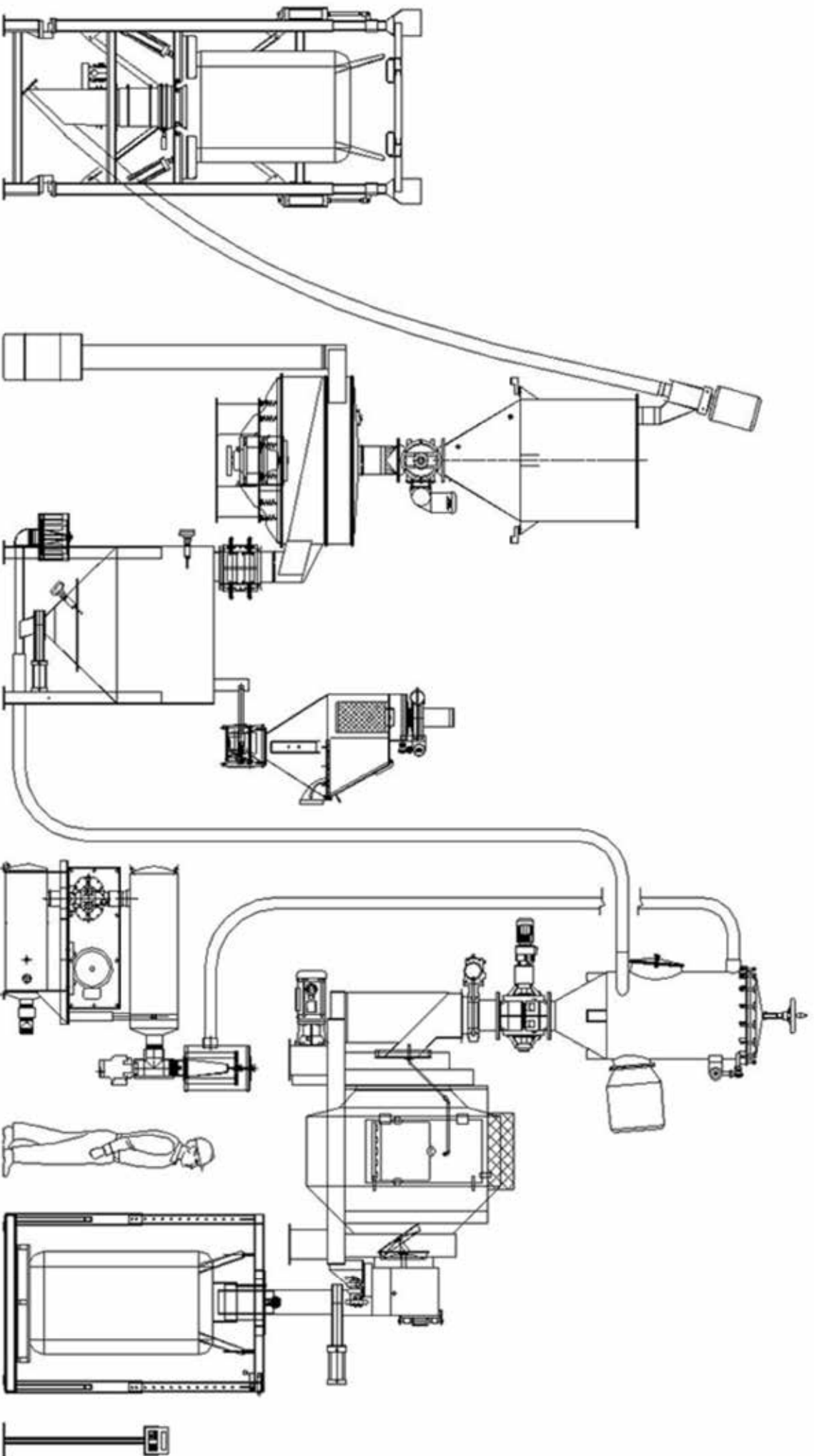


Conveyors

- Chain Belting
- Rubber Belting
- Bucket Elevators
- Roller
- Shuffle



DYNEQUIP ENGINEERED SYSTEMS



TITLE: CUSTOM ENGINEERED SYSTEM

CUSTOMER:

DATE

DRAWN BY

ENG APPR:

SCALE: 1:32

SHEET 1 OF 1

THE INFORMATION CONTAINED IN THIS DRAWING IS THE SOLE PROPERTY OF DYNEQUIP. THE WRITTEN PERMISSION OF DYNEQUIP, INC. IS PROHIBITED.

Dynequip

Material Handling Solutions

1983 SL DAN PLACE, ST. PAUL, MN 55117
PHONE: 651-776-1002 FAX: 651-776-1018

DWG. NO.
XXXXXX



Autodesk



AutoCAD

2010